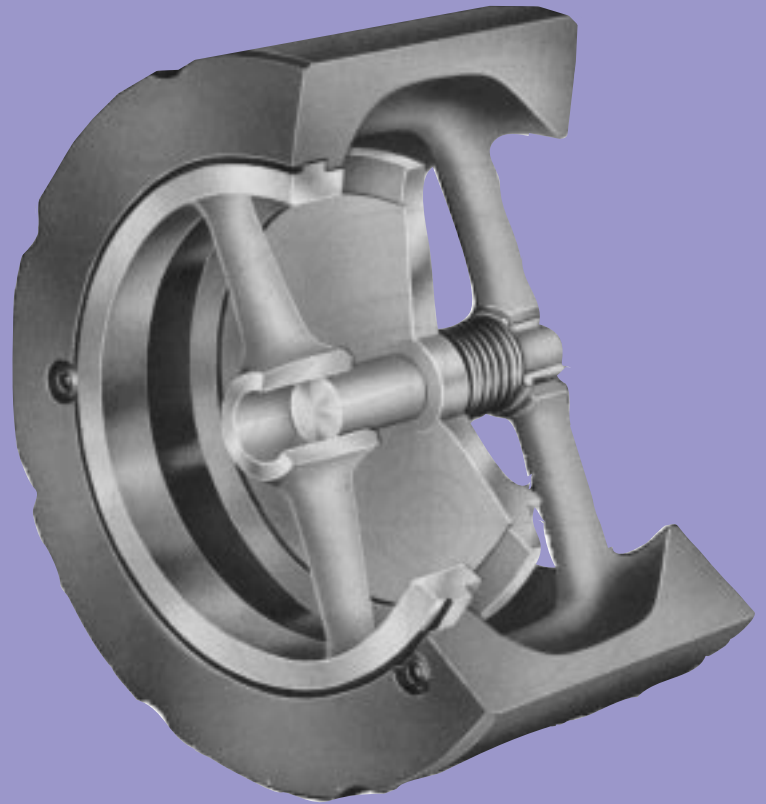


SHHH... SHHH... SHOCK- PROOF PIPING SYSTEMS



*Approved

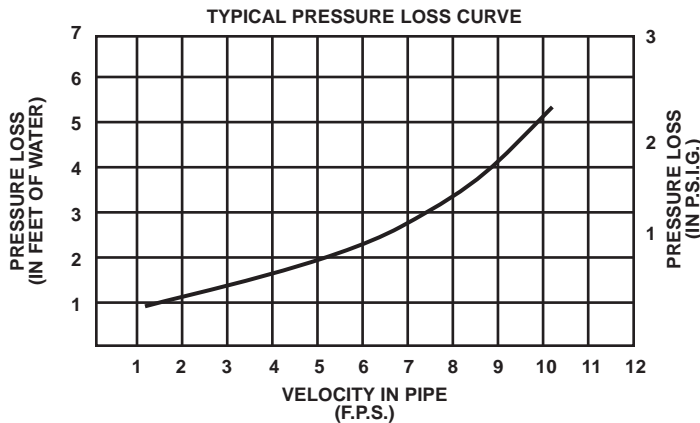


1400 SERIES

with VAL-MATIC® WAFER STYLE Silent Check Valves

Designed and engineered for silent operation with low head loss in a compact wafer body. Specially designed spring controls the closure of Val-Matic Silent Check Valves . . . closing valve disc in advance of flow reversal, thereby preventing water hammer and damaging shock normally associated with valve shut-off.

Tear-Drop Contour **allows** streamline flow and combined with Full Pipe Size Area of Inner Body **assures** minimal pressure drop.



NOTE: For specific valve size pressure loss curve . . . see drwg. No. 1404.

VAL-MATIC SILENT CHECK VALVES ARE ENGINEERED FOR SILENT OPERATION / LOW HEAD LOSS *Plus...*

- Shortest Feasible Face-to-Face Dimensions
- Lightweight, Space-Saving Wafer Design
- Easily Replaceable Parts
- Functions Equally Well in All Positions
- Simple flange-supported installation
- Drop-Tight Seating
- Cast Iron Body / Bronze or Stainless Steel Trim

NOTE:

1. Val-Matic 1400 Series Wafer-Style Silent Check Valves Are Intended for Liquid Service Only. For other service or materials of construction, consult factory.

2. Globe Style Valves Also Available in 3" through 42" . . . See Val-Matic Bulletin 1800.

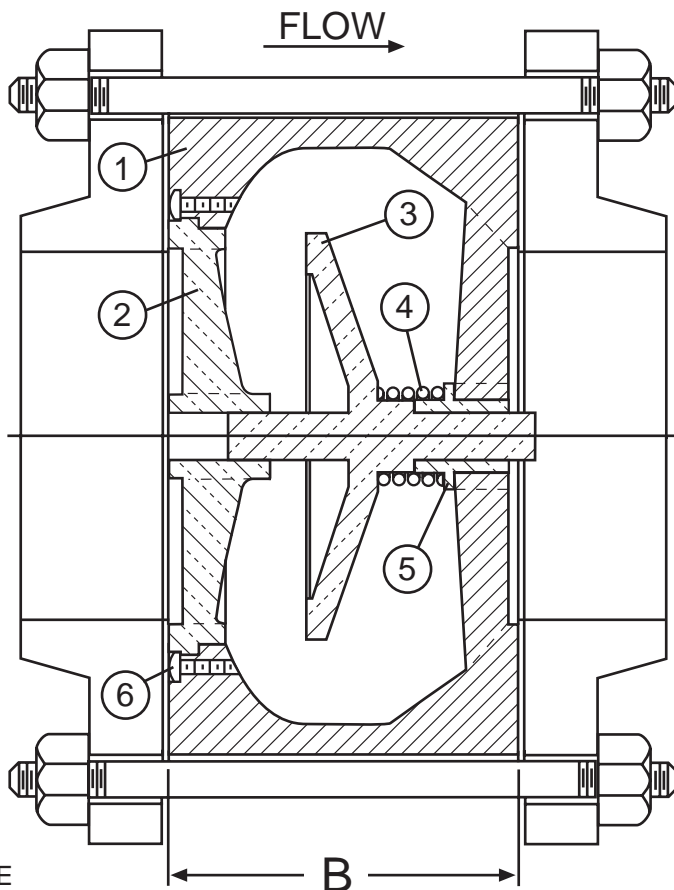
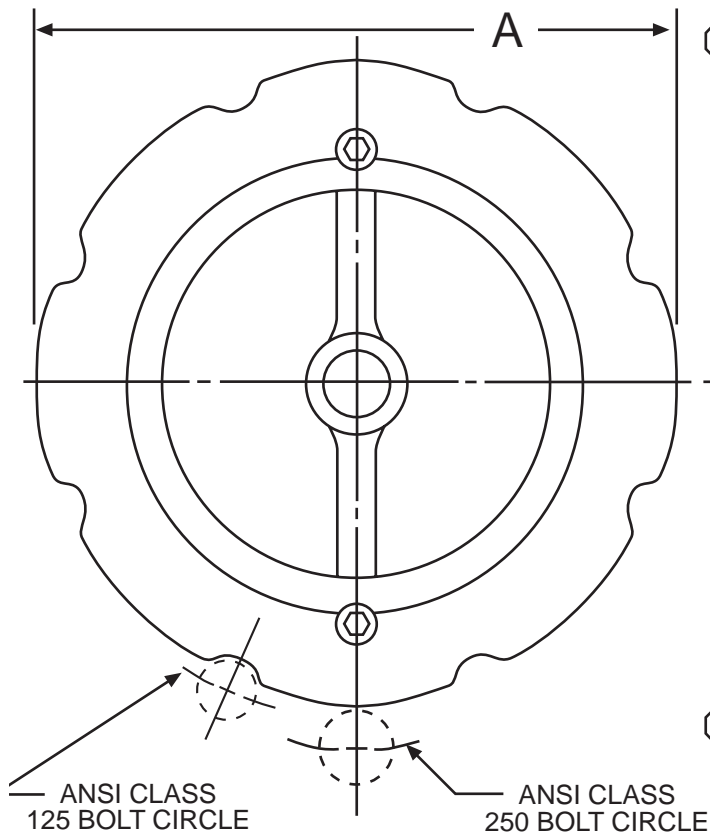
3. Cast Steel and Stainless Steel Valves Also Available . . . See Drawing Number VM 3102.



VAL-MATIC® VALVE AND MANUFACTURING CORP.

905 RIVERSIDE DRIVE ■ ELMHURST, IL 60126
PHONE (630)941-7600 ■ FAX (630)941-8042

FLANGES, BOLTS, NUTS AND GASKETS ARE NOT INCLUDED.



Factory Mutual System

***Approved**

PART NO.	NAME	MATERIAL
1	BODY	CAST IRON
2	SEAT	BRONZE
3	PLUG	BRONZE
4	SPRING	STAINLESS STEEL
5	BUSHING	BRONZE
6	SCREW	STAINLESS STEEL

ANSI 125

ANSI CLASS 125				
Size	Model No.	Weight Lbs.	A	B
* 2	1402	6	4-1/4	2-5/8
* 2-1/2	1402-1/2	7	5	2-7/8
* 3	1403	12	5-3/4	3-1/8
* 4	1404	18	7	4
* 5	1405	27	8-3/8	4-3/4
* 6	1406	42	9-3/4	5-1/2
* 8	1408	85	13-3/8	6-1/2
* 10	1410	146	16	8-1/4

ANSI CLASS 250				
Size	Model No.	Weight Lbs.	A	B
SIZES 2" THRU 6" ARE COMBINATION ANSI CLASS 125 AND 250 VALVES. USE ANSI CLASS 125 DIMENSIONS.				
* 8	1458	86	13-3/8	6-1/2
* 10	1460	137	16	8-1/4

NOTE: (1) Refer to Drawing SS-120 for pressure and temperature limitations.
(2) Additional materials and pressure classifications available.

VAL-MATIC®

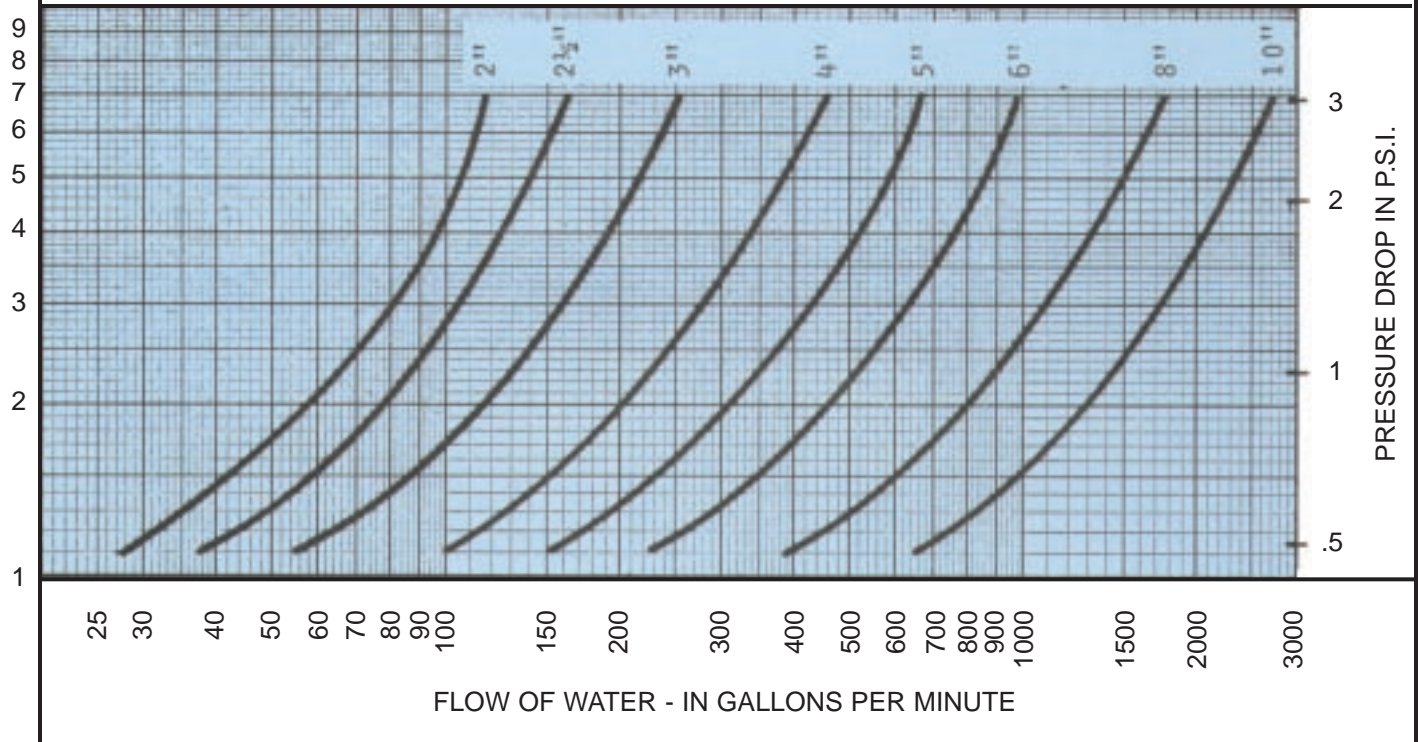
VAL-MATIC VALVE AND MANUFACTURING CORP.
905 RIVERSIDE DRIVE • ELMHURST, IL 60126
630/941-7600 • FAX: 630/941-8042
Copyright © 1987 Val-Matic Valve and Mfg. Corp.

DISTRIBUTED BY

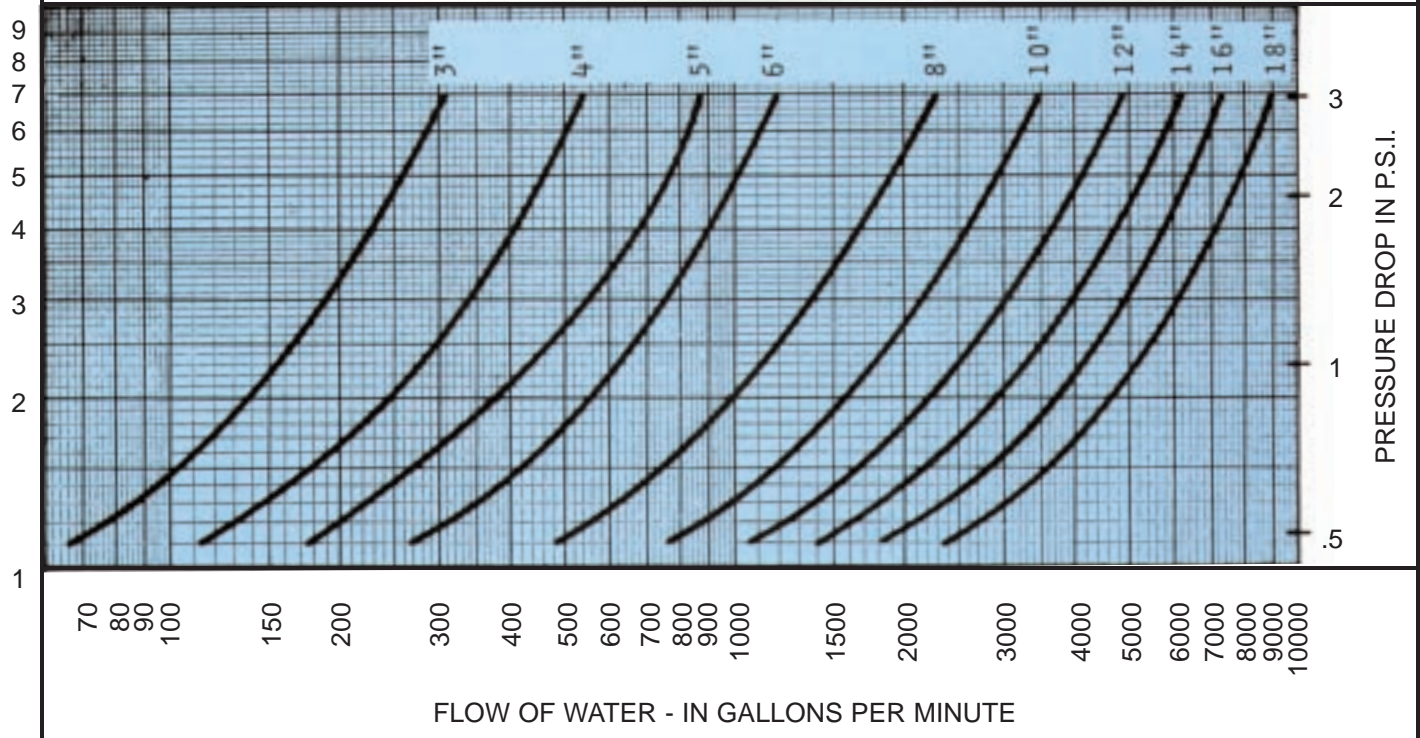
PRINTED IN U.S.A.

PRESSURE DROP - - IN FEET OF WATER

PRESSURE LOSS CURVES - WAFER STYLE SILENT CHECK VALVES



PRESSURE LOSS CURVES - GLOBE STYLE SILENT CHECK VALVES



RECOMMENDED MAXIMUM GPM PER VALVE SIZE / FLOW VELOCITY OF 10 F.P.S.

2" - 100 GPM	4" - 400 GPM	8" - 1600 GPM	14" - 4250 GPM
2 1/2" - 150 GPM	5" - 625 GPM	10" - 2500 GPM	16" - 5500 GPM
3" - 225 GPM	6" - 900 GPM	12" - 3500 GPM	18" - 7000 GPM



VAL-MATIC® VALVE AND MANUFACTURING CORP.

905 RIVERSIDE DRIVE ■ ELMHURST, IL 60126
PHONE (630)941-7600 ■ FAX (630)941-8042

DRWG. NO.

1404

REVISED 4/1/85