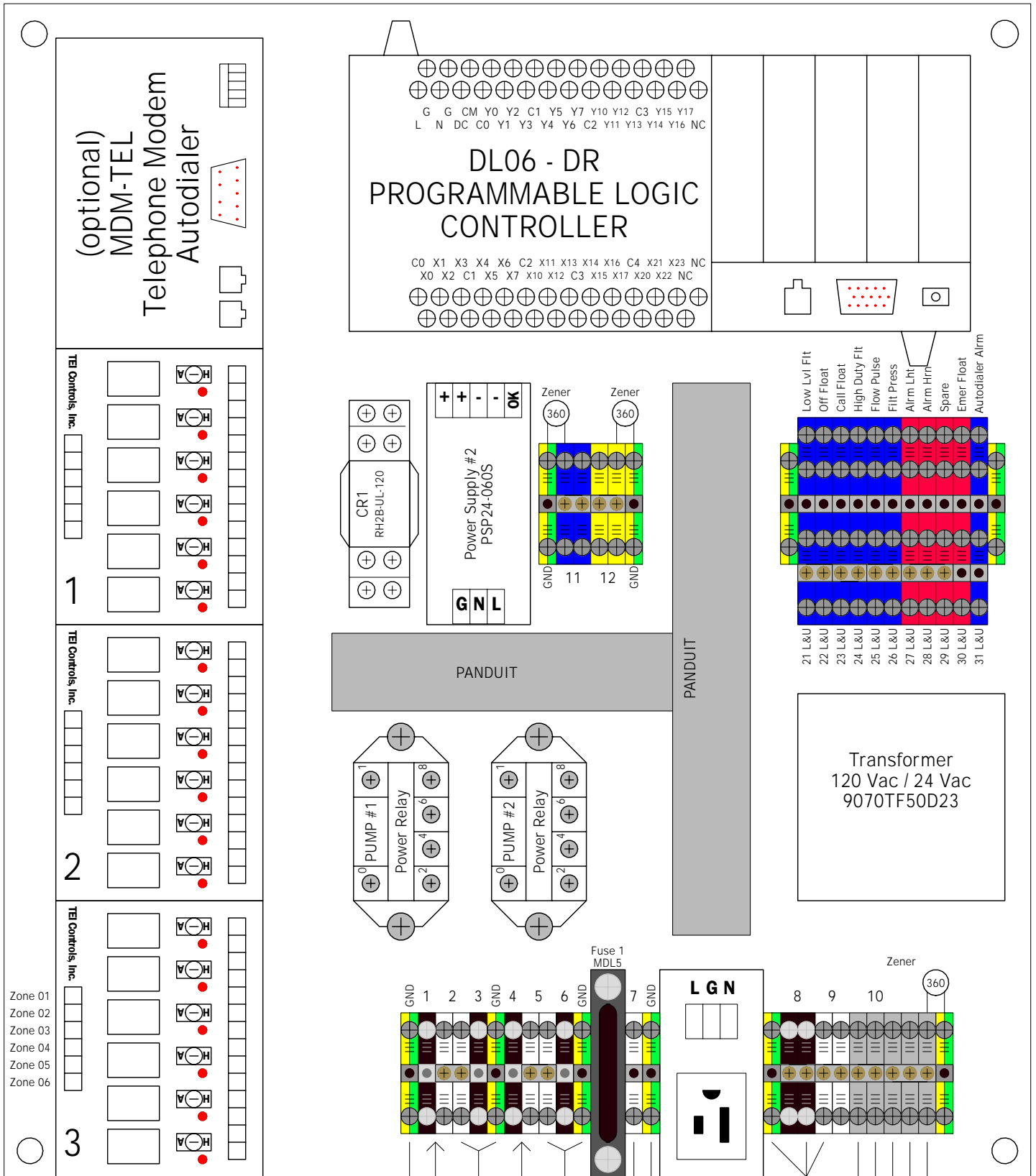
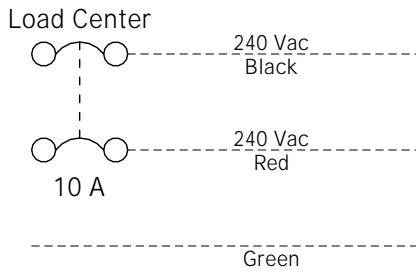
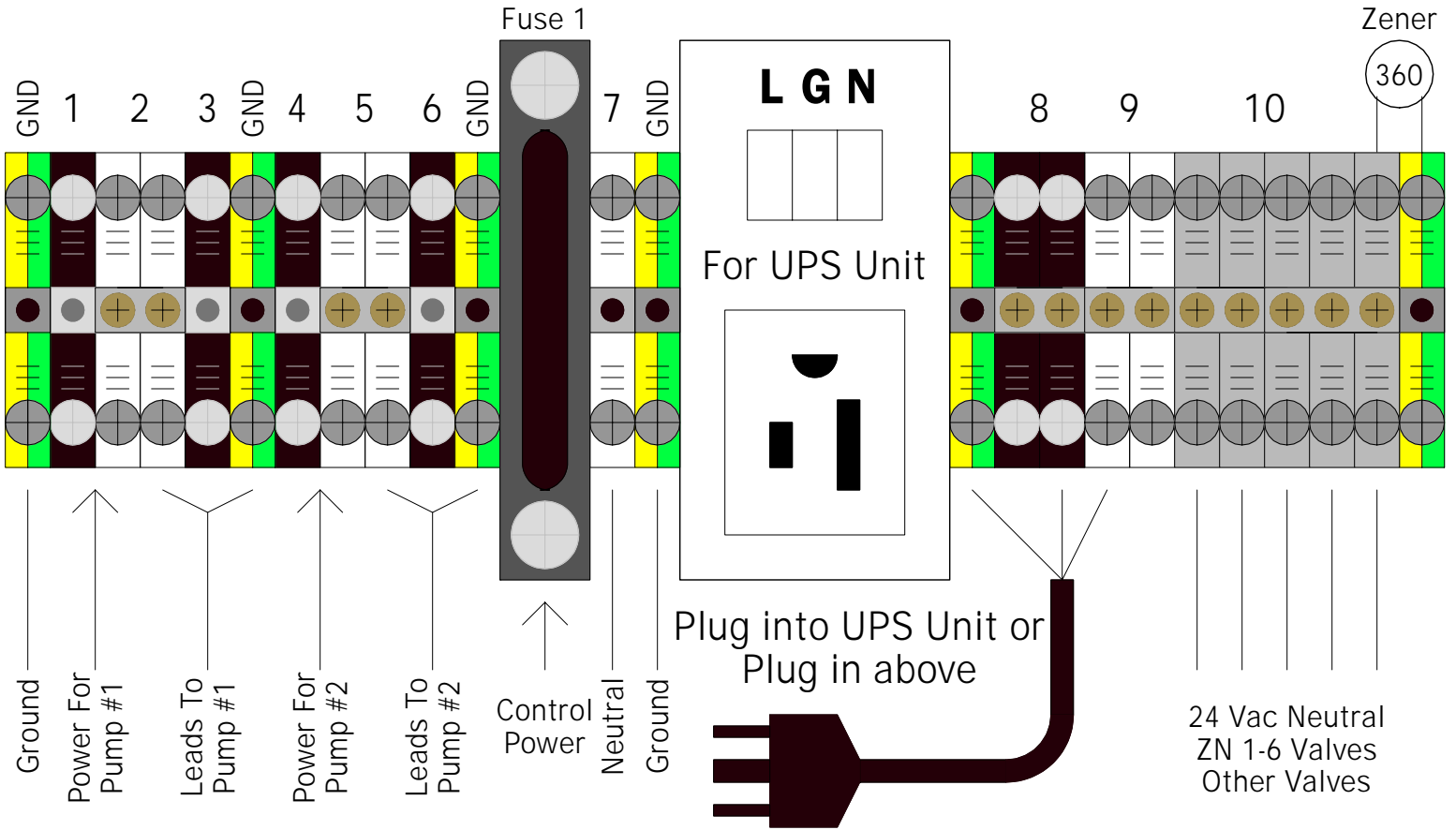


3500 DICP BACKPLATE

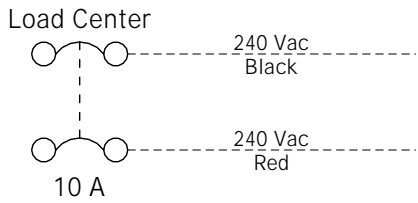
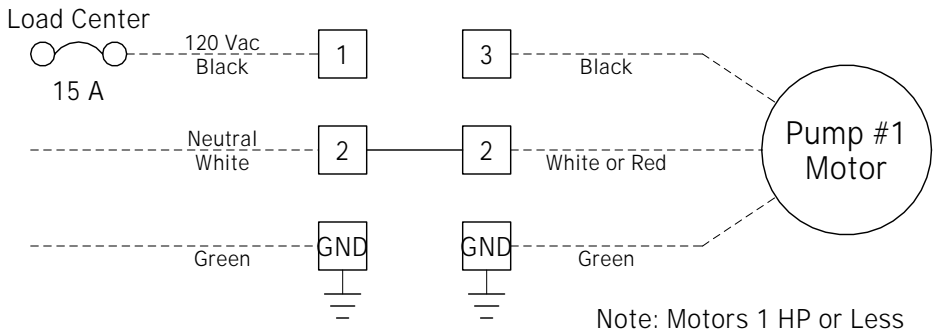


COPYRIGHT BY SURFLO
 512-259-1993 or 2977
 Last Update July 7, 2006

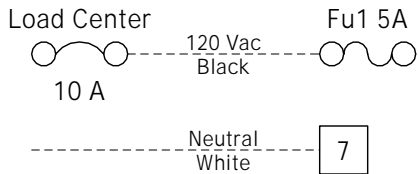
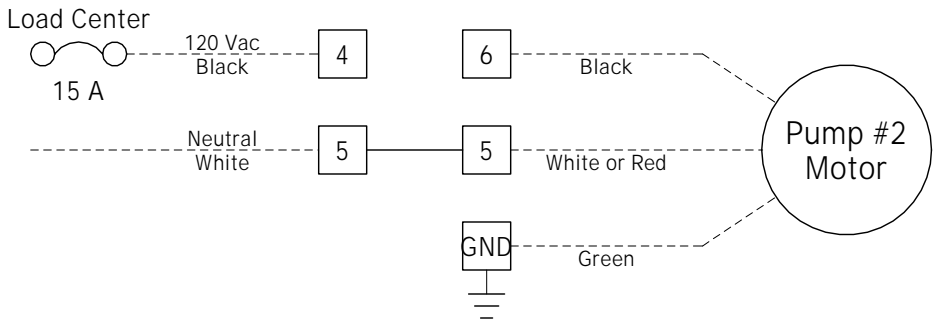
POWER INPUT & OUTPUT



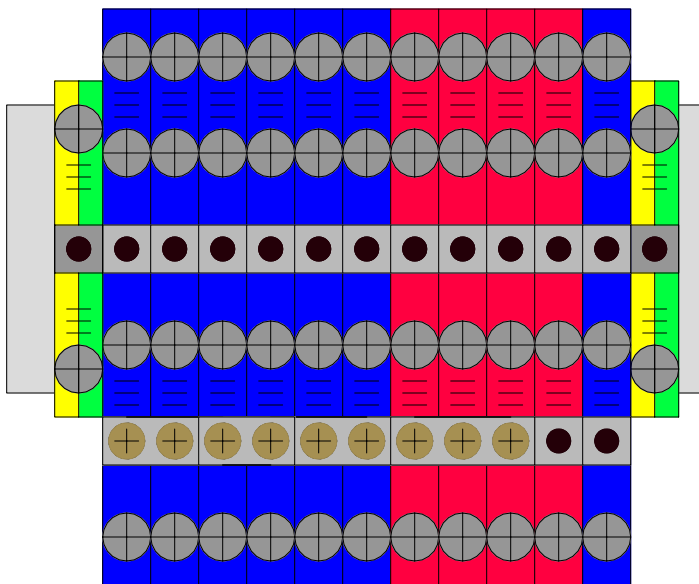
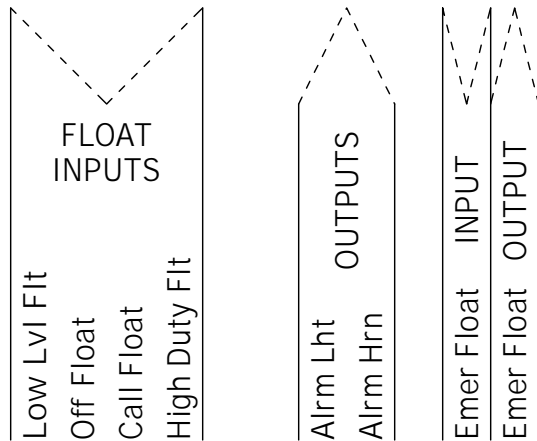
OR



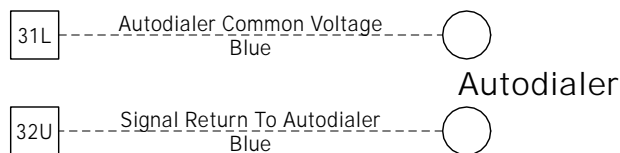
OR



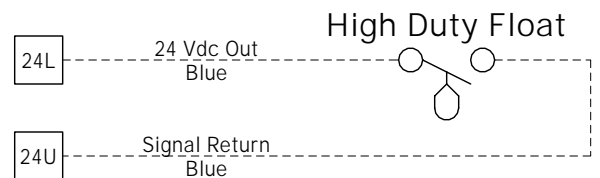
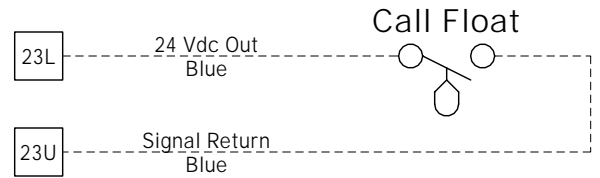
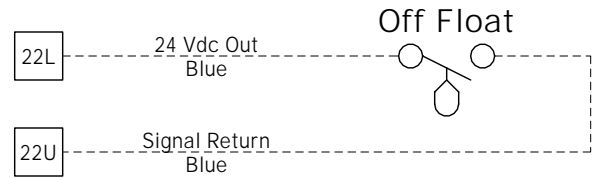
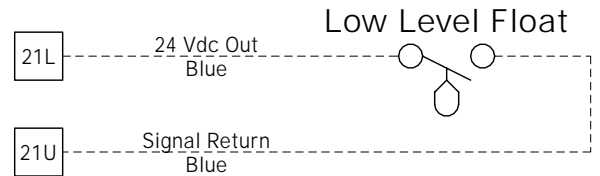
FLOAT INPUTS ALARM LIGHT & HORN OUTPUTS



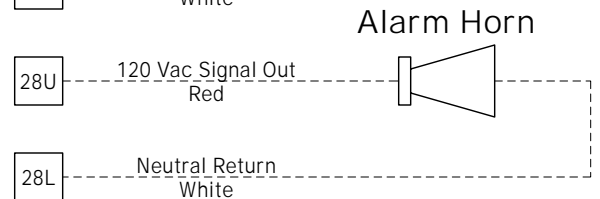
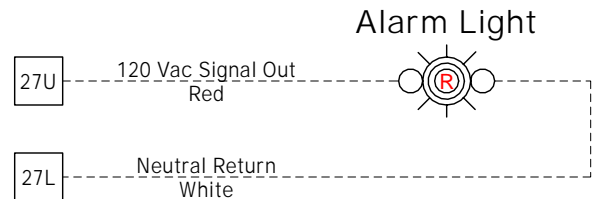
21 L&U
22 L&U
23 L&U
24 L&U
25 L&U
26 L&U
27 L&U
28 L&U
29 L&U
30 L&U
31 L&U



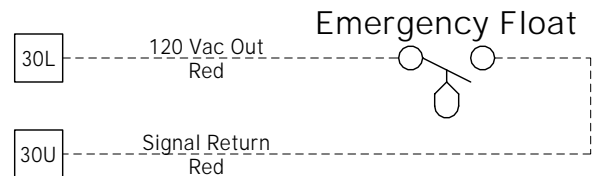
NOTE: The output is a "dry" contact.
Contact is NO - closed means Alarm.



NOTE: 21L, 22L, 23L, 24L, 25L & 26L
are the same point electrically - 24 Vdc.



NOTE: 27L, 28L, & 29L
are the same point electrically - Neutral.



NOTE: The fifth float operates on a
different electrical voltage from the other four floats.

ZONE VALVE SOLENOID OUTPUT SIGNAL

